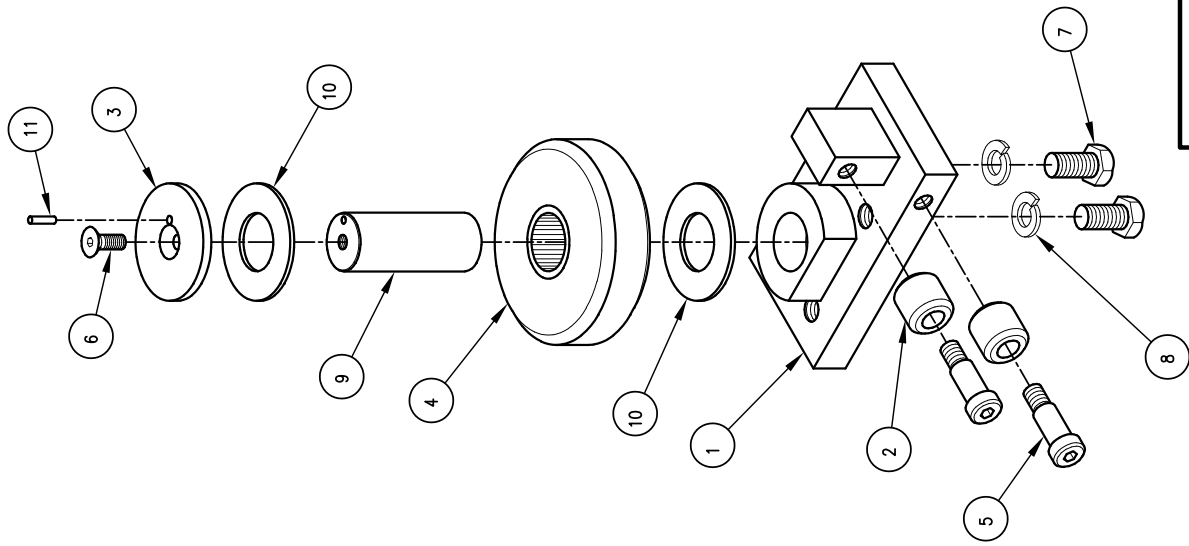


# BILL OF MATERIALS

ITEM	QTY.	DESCRIPTION	PART No.	SUFFIX
1	1	LOWER WHEEL BLOCK WELDMENT (L.H.)	LL1017	
2	2	ROLLER GUIDE	LL1244	
3	1	STEEL WHEEL RETAINER	LL2758-5.25	
4	1	5 1/4" PA6G WHEEL ASSEMBLY	LL2340	
5	2	SOC HD SHLD BOLT 5/8"φ x 1 1/4" LG.	LL3084	
6	1	FHSHCS, 3/8-16 x 3/4" LG.		
7	4	HHCS, 5/8-11 x 1 1/4" LG., GR. 8		
8	4	LOCK WASHER, 5/8" STD.		
9	1	STEEL WHEEL SHAFT	LL1242	
10	2	STEEL WHEEL SPACER WASHER	LL1243	
11	1	SLOTTED SPRING PIN, 3/16 DIA. x 3/4" LG.	A-HMM1690	STK

WEIGHT = 14#





L.H. LOWER WHEEL BLOCK ASSEMBLY  
PA6G WHEEL

DATE: 8-13-91  
DRN BY: DFK

REV  
**1075-5.25**  
**3**